

BADUJET Turbo Pro



Innovation, performance and sophisticated design combined.
Welcome to the limit.

Field of application

For mounting into walls of all pool models, up to a wall thickness of 7 mm, except for round pools.
For performance oriented professional workouts, relaxation, rehabilitation training, fitness or leisure.

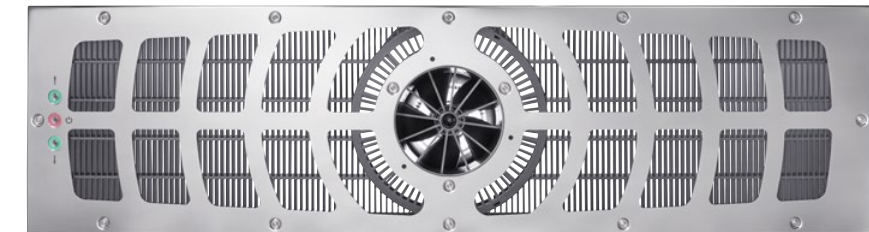
Design

The built-in main housing uses innovative propeller technology to draw water in via the cover and return it to the swimming pool with a powerful stream. The system is driven by an efficient, fanless, fully encapsulated permanent magnet motor.
Power control as well as switching the power on and off is carried out via the integrated piezo buttons or a remote control.

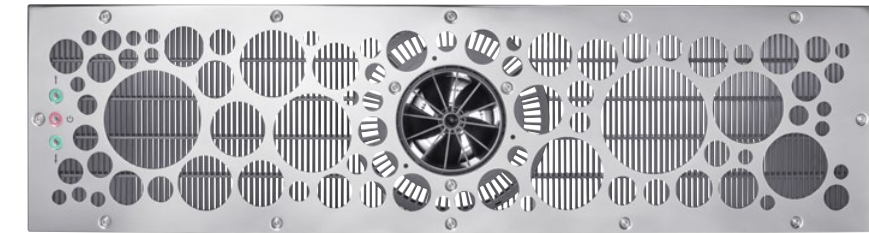
Materials used

Main housing ABS
Nozzle housing ABS
Covers ABS/stainless steel
Intermediate flange PPE
Drive unit PPE/PP/stainless steel
Plain bearing SiC/SiC
Screws stainless steel

Design 1 >



Design 2 >



Technical data at 50/60 Hz	BADUJET Turbo Pro	Frequency converter
Performance (kW)	3~	4.00
Voltage	3~	3~ 380-480 V
Net weight (kg)	3~	6.00
Technical data at 50/60 Hz	BADUJET Turbo Pro	Drive unit
Pump flow rate (m³/h)	3~	150-350
Power input P ₁ / output P ₂ ¹⁾ (kW)	3~	3.60/3.00
Number of nozzles (Ø 172 mm)	3~	1
Flow velocity (m/s)	3~	1.80-4.10
Multi-directional swivel nozzle (degrees)	3~	±5
Net weight (kg)	3~	51.50

For more detailed information regarding the motor protection please see page 167.

Article no	Type	Variation	Voltage	Power output P ₂	Net RRP	Gross RRP ⁷⁾
232.5100.000	BADUJET Turbo Pro, Design 1	Standard assembly kit			5,293.27 €	6,299.00 €
232.5120.000	BADUJET Turbo Pro, Design 2	Standard assembly kit			5,293.27 €	6,299.00 €
232.5200.000	BADUJET Turbo Pro	Drive set	3 N~	3.00 kW	5,293.27 €	6,299.00 €

When ordering a complete unit please indicate the article number of the standard assembly kit and the drive set.

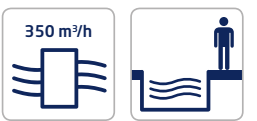
For pools with a wall thickness from 8 mm on request.



Pending approval.



Scan the QR code for the BADUJET counter swim units application video...



Scope of delivery

Standard assembly kit for design 1 and design 2

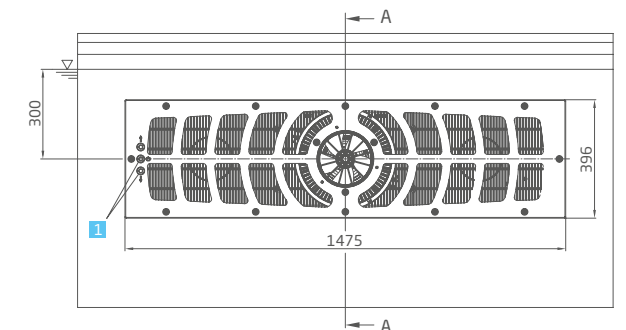
- Plastic main housing
- Suction cover
- Stainless steel cover design 1 or design 2
- Magnet unit
- Nozzle unit
- Piezo buttons
- Seals
- Screws

Drive set 3 N~

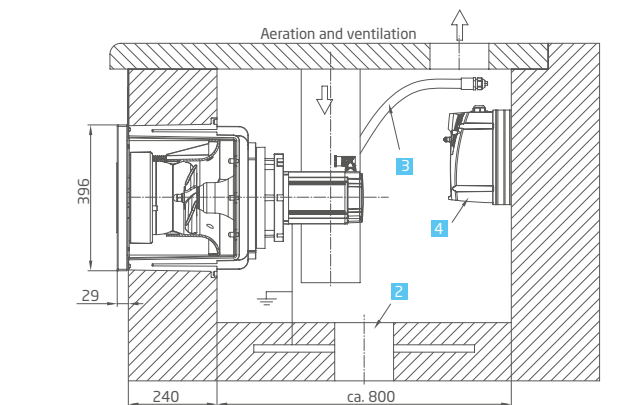
- Motor unit
- Frequency converter
- Control box
- Remote control
- Screws
- Connection cable, shielded, 10 m.

Dimensions

Detailed dimensions available on request or at badu.de



Recommended installation example



- 1 Piezo buttons
- 2 Floor drainage
- 3 Protective hose, Piezo button wiring
- 4 Frequency converter